

Pre-ordering Guide

Installing a new benchtop can be a great way to give your kitchen or laundry a fresh new look. However, before you place your order for a DIY benchtop, there are several factors you need to consider to ensure a successful installation. From join position to appliance installation, taking the time to plan ahead can save you time and money in the long run.

Things to consider before you order your benchtop

1 Check all your measurement twice

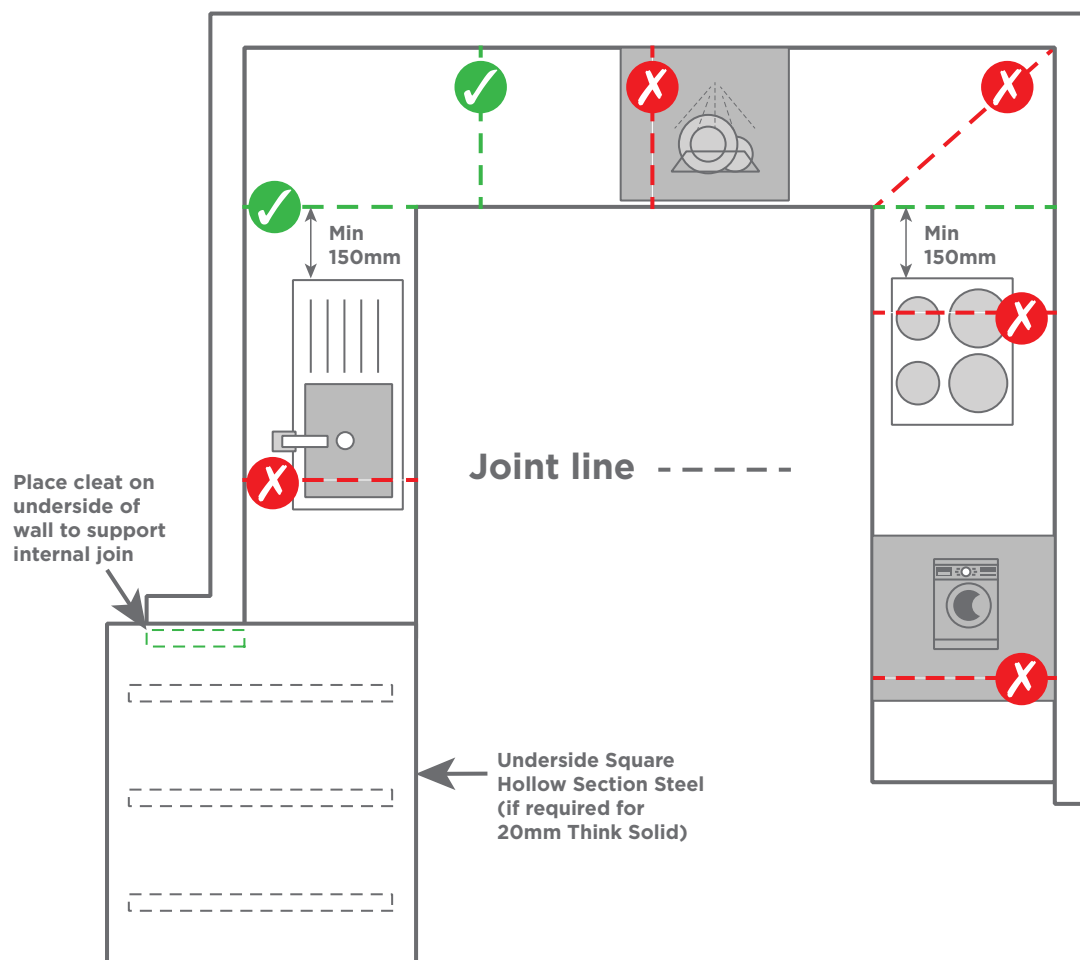
Measure the area of benchtop you require ensuring that each measurement is checked twice. Below are some handy tips to remember when measuring & supporting your new Think Benchtop.

If you want to replace your existing benchtop only with a new Think Benchtop (and keep your existing cabinets) all plumbing and electrical must be disconnected and the existing benchtop removed before our installation date, ready for your new Think Benchtop installation.

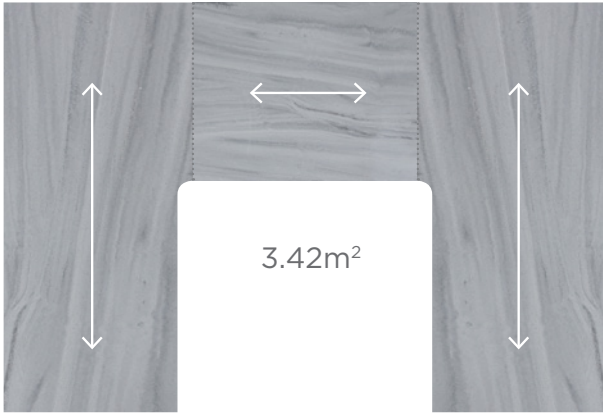
2 Check the position of Joins

Expansion gap: When installing your benchtops allow a minimum 2 clearance gap between rear & side edges of your Think Solid Surface benchtop and walls / cabinets for expansion if required.

Avoid positioning joins directly above dishwashers and through sink or cooktop cut outs. Ideally joins should be positioned a minimum 150mm away from all cooktop cut-outs and dishwasher installations.

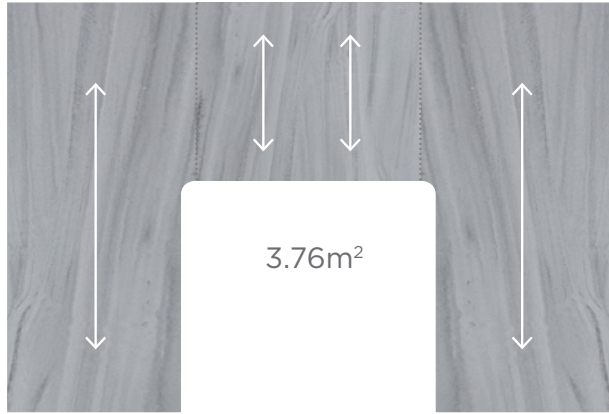


3 Consider your benchtop grain direction when choosing Veined colours



Standard option

This option is the standard grain direction for your Think Solid (Vena Series) & Think Timber benchtop.



Upgrade option

You can upgrade your Think Solid (Vena Cloud and Vena Storm only) & Think Timber benchtops to have the grain running in the same direction for a 10% additional m² charge.

4 Waterfall end consideration

Waterfall ends are a stylish addition to kitchen benchtop that add a flowing look to the design. Careful planning is required to ensure the best possible installation.

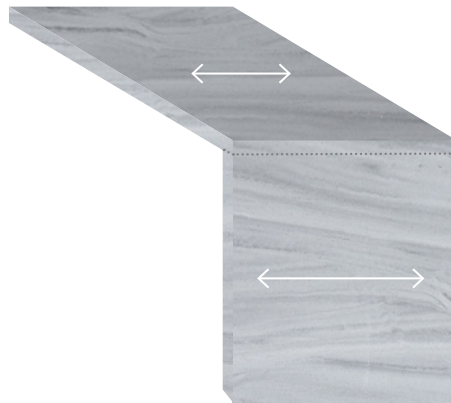
Dimensions: The dimensions of the waterfall end should be carefully measured to ensure a precise fit. This includes the height, width, and depth of the end.

Support: Waterfall ends can be heavy. Adequate support will need to be provided to ensure the end is secure and won't crack or break over time.



Standard Option

20mm & 38mm
(Vena Cloud + Storm only)



Upgrade Option

20mm & 38mm
(All Vena colours)

Ordering a DIY benchtop involves more than just selecting the colour and material. By considering the join position, adjusting cabinet rails, overhang support, appliance installation, splashbacks, and waterfall ends, you can ensure that your benchtop fits your space and meets your needs. With careful planning and attention to detail, you can enjoy a beautiful and functional new benchtop that will enhance the look and feel of your home.

5 Cabinet fixing and Support for 20mm & 38mm benchtops

Prior to commencing your installation, please ensure the following:

A Check Cabinets are Square

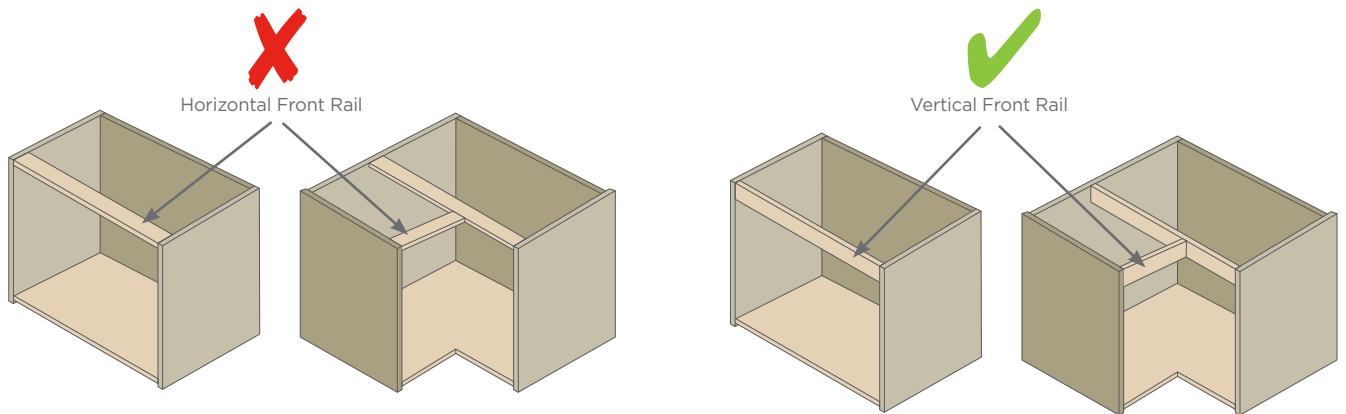
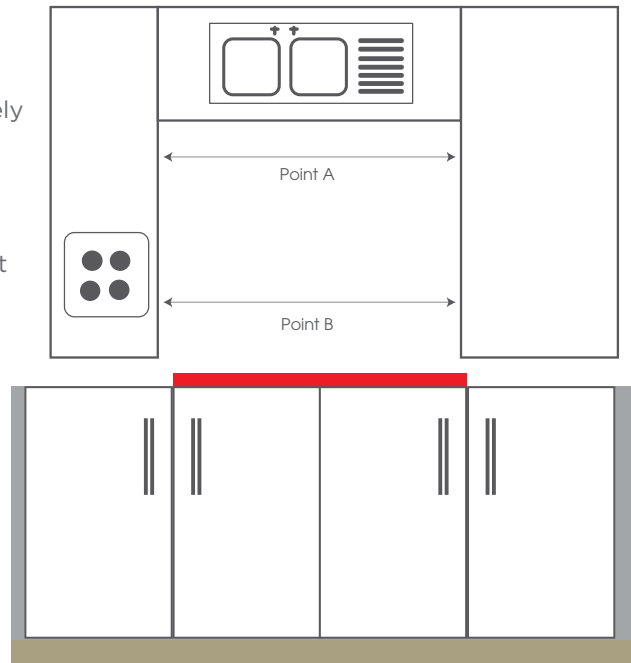
- All base cabinets are square, perfectly level and securely fixed into rear wall and to adjacent cabinets.
- Both Point A and Point B should be the same distance between the cabinets. If this distance is not the same, it is suggested that cabinets be adjusted to ensure that benchtops have a perfect join.

B Check Cabinets are Level

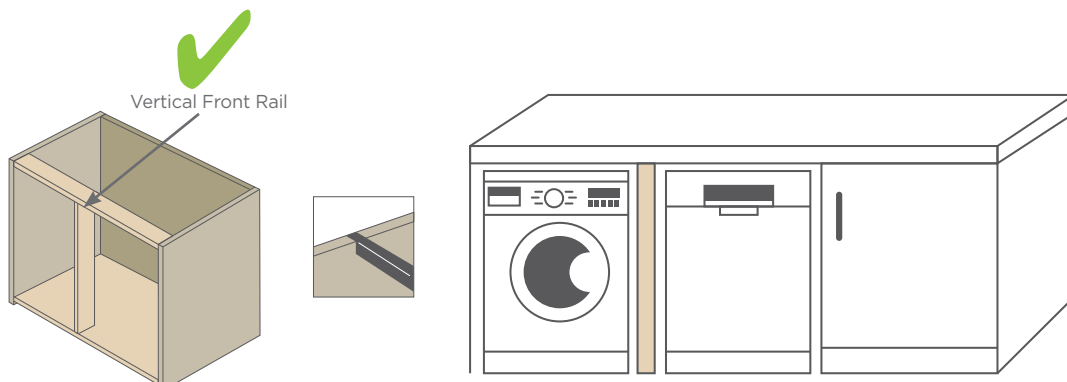
- All cabinet legs are in full contact with the floor to prevent any level change in cabinets after heavy benchtops are placed into position. Important: Check leg contact before & after installation to ensure no movement has occurred during benchtop install process.

C Consider Vertical Support Rails

- Providing adequate structural support for the benchtop along the front and the back is essential for long term performance. All cabinets / drawer box with spans greater than $\geq 800\text{mm}$ wide (including corner cabinets) will require front rails to be installed vertically. Front & rear (wall cleat) support rails need to be added for dishwasher voids.
 - NB: If existing front rails are unable to be inverted; simply install hardwood rails 42mm x 18mm (White wrapped) vertically behind or under existing flat rail, or
 - Embed 25mm x 25mm x 2mm thick Square Hollow Steel tube just behind or under flat top rail. Use multi tool to trim front rail back &/or notch side of cabinets, ensuring steel tube sit is at same level of cabinet walls. NB: do not allow steel tube to be closer that 50mm to cook top cut-out edge.



- Laundry designs where washer & dryer are side by side will require similar support solutions including a centre divider panel finished to same height as cabinets for additional support rails/bars to sit upon.



6 Consider Island Benchtop Overhang support

Some benchtops are extremely heavy, depending on your design, additional support may be required. This will be noted on your plans at time of check measure, if you select the professional installation option. Your Benchtop may come with overhang support installed if the overhang was clearly noted and requested at time of order. For DIY installation, refer to the table as a guide. Please ensure any cut outs required on the island are noted on your plans at time of order as this will affect the positioning of overhang support.

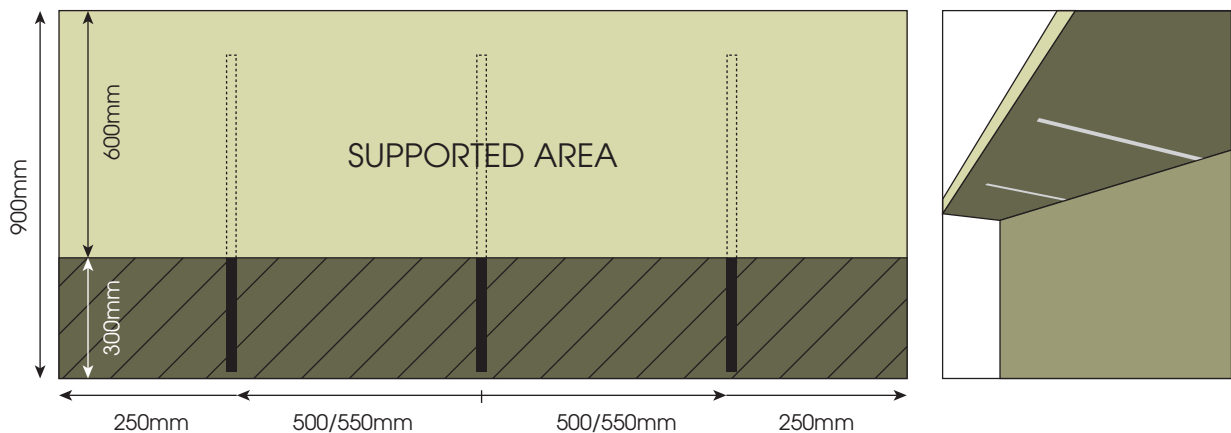
| Product | Island Overhang | | |
|-------------------|-----------------|-----------|-------------|
| | 0-150mm | 151-300mm | 301 - 400mm |
| Think Timber™ | X | ✓ | X |
| Think Solid™ 20mm | X | ✓ | X |
| Think Solid™ 38mm | X | X | ✓ |

X = No additional support required

✓ = Additional support required.

IMPORTANT: 2/3rds of benchtop must be supported by cabinets at all times.
ie Max benchtop overhang is 1/3 of overall benchtop depth

Support for the benchtop can be achieved using “L shaped” brackets or metal support bars (25mm x 25mm x 2mm Square Hollow Section Steel). Support to be placed every 500/550mm along the length of the overhang and within 250mm at both exposed ends. SHS bar must extend into cabinet cavity as marked to provide load spread. Professional Tips: Cleats on wall can be used for overhang support where peninsular/island butts into wall.



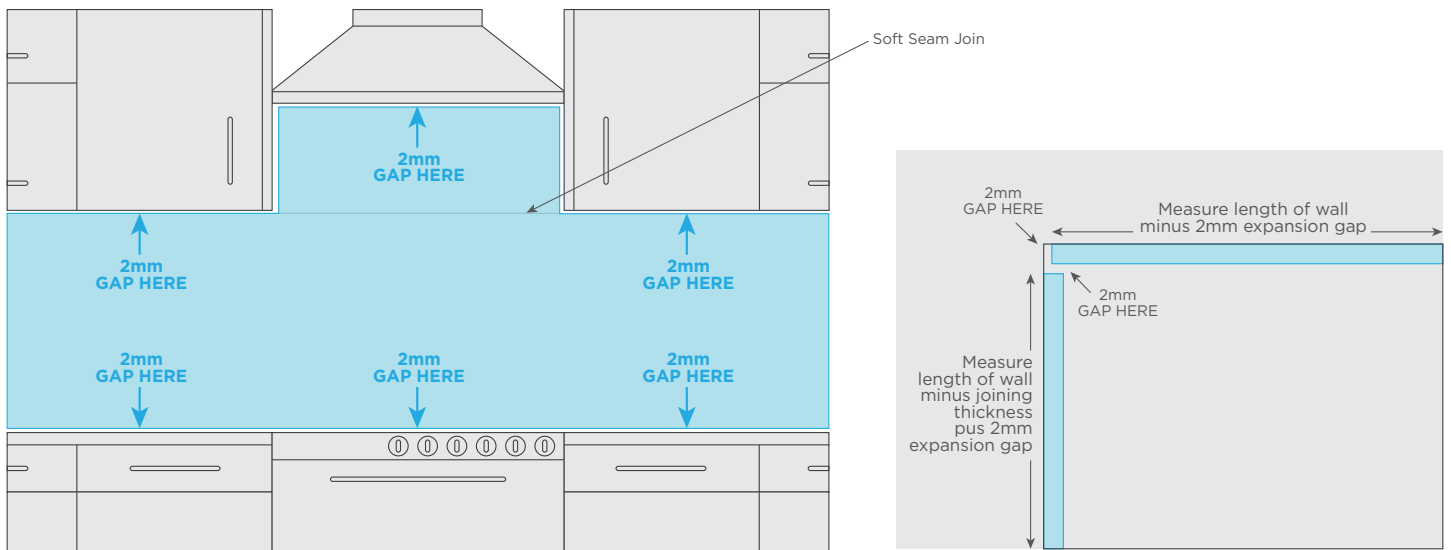
7 Measuring your Splashback

Adding a co-ordinating Think Solid splashback is easy. Measure the length and height required and include the measurements with your benchtop plan. Think Solid splashbacks are available in 12mm thickness to suit 38mm benchtops and 20mm thickness to suit 20mm benchtop.

Please consider expansion when measuring your splashback so it is recommended to use the shortest measurement to ensure the splashback is not a tight fit or to avoid the need to scribe. To allow for expansion ensure your measurements provide for a 2mm gap from each edge where the splashback meets a wall or an object including butt joins along the length of the splashback. This also includes butt joins that are required to be positioned where the splashback changes height (i.e., where it meets low level window or higher rangehood).

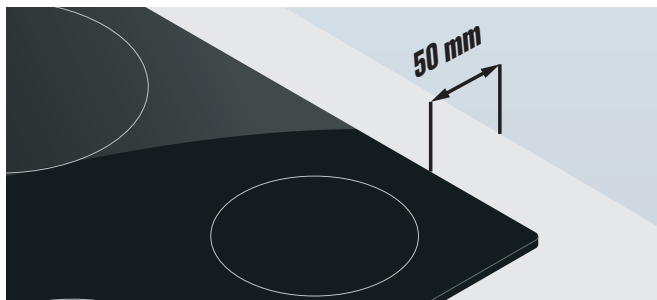
Professional Tip: use a 2mm spacer /packer when taking measurements to ensure expansion gap is allowed for.

- 12mm material Splashback thickness for 38mm benchtops
- 20mm material Splashback thickness for 20mm benchtops
- Important; Do not mix due to possible colour tone variation.



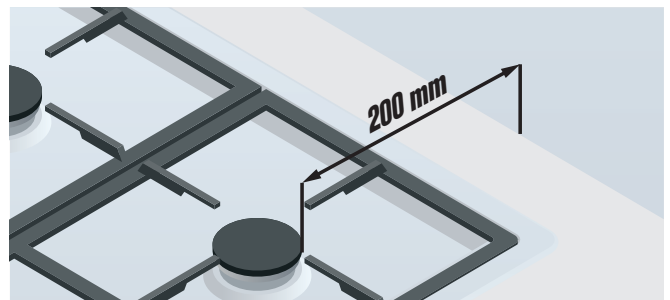
Cooktop clearance compliance when considering Think Solid Splashbacks

Splashbacks need to be installed to suit the gas regulations in your state. The below illustrations show the distance required between the back burner and the splashback for electric, induction or gas cooktops.



Electric and Induction Cooktop

For electric and induction cooktops, a minimum 50mm clearance from the back edge of the cooktop to a Think Solid splashback is required.



Gas Cooktops

For gas cooktops, a minimum of 200mm clearance from the periphery of the gas burner to a Think Solid splashback is required. This is a requirement as set out in the Australian Standard for Gas Installations, AS5601.

For more information on products, services & installation.

Visit the Bunnings Special Orders Desk
Think Benchtops 1300 366 113
www.thinkbenchtops.com.au

think@casf.com.au
Check out our online benchtop calculator!



