

ThinkSolid™ Custom

DIY Installation Guide



Contents

Before you begin	3
Storage & preparation	3
Tools & materials you may need	4
Getting started	4
Sink & Cooktop positions and cut-outs	5
Cabinet joins for 20mm & 38mm benchtops	7
Joining & installation of benchtops	9
Installing waterfall ends	10
Splashback Installation	11

Before you begin

Please read this booklet before commencing installation of your benchtops. Some of the information may not be applicable to your particular installation, however certain stages of preparation and assembly are important, and spending a short time to review this booklet may save time later.

Important Notes

1. Installation of the benchtops MUST be carried out by a competent person. If in any doubt, consult an expert on 1300 366 113 for any technical advice.
2. Always carry your benchtop on edge (never flat) (see Fig. 1).
3. Do not rush your installation. Take time and care during installation to achieve a professional finish.
4. Protect your benchtop from damage by keeping all metal tools off the surface during the installation process.
5. Under no circumstances must screws be used directly into the benchtop.
6. When fixing benchtops to cabinets DO NOT use the brackets supplied with your cabinets. Use a silicone adhesive for this purpose.

Storage & preparation

Installation of the benchtops should be carried out as soon as possible after delivery. If storage is necessary, benchtops MUST be laid flat and fully supported in their original packaging (see Fig. 2). Make sure the storage area is indoors, and in a completely dry area. Do not unpack the benchtops unless the room humidity is stable and all cabinets are installed with any debris cleared away.

To achieve the best installation results, store your benchtops in a room temperature of around 20°C, at least 24 hours prior to installation.

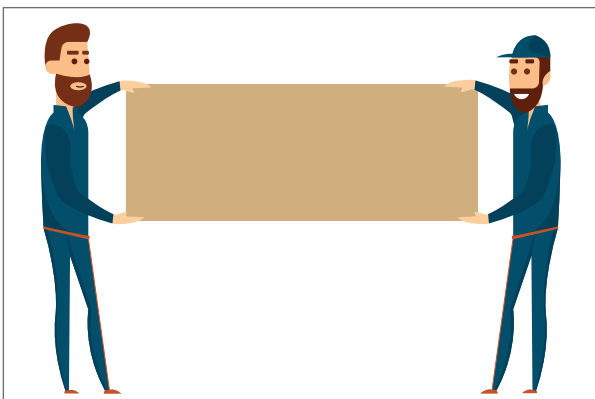


Fig. 1

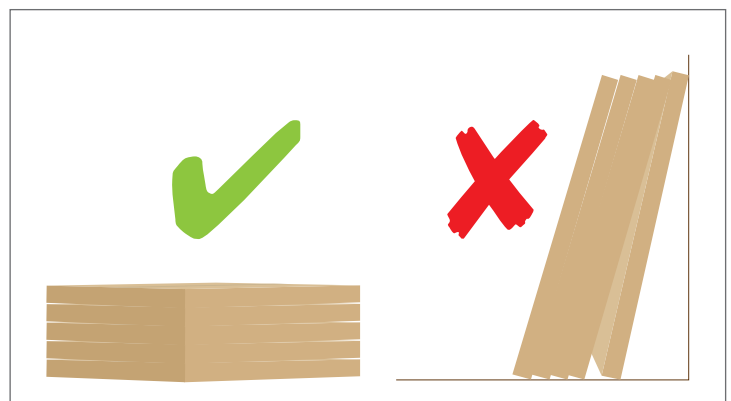


Fig. 2

Tools & materials you may need

Adhering your solid surface benchtop to your cabinets

- Tape measure
- Spirit level
- Silicone gun
- Methylated spirits and clean cloth
- Silicone glue
- Straight edge
- Packers or wedges

INSTALLATION KIT INCLUDED WITH YOUR BENCHTOP ORDER

- Toggle bolts
- 3M heat conductive tape (used for all cooktop cutouts).

Joining

- Power/cordless drill
- Allen Key
- Sanding block
- Methylated spirits
- Vacuum cleaner
- Face mask
- Safety glasses

Appliance cut out preparation

- Pencil & square
- Sandpaper (150 grit, to smooth edges of sink and cooktop cut-outs)
- 3M double sided tape as appropriate 3M™ Heat Conductive Tape (Must be used for all cooktop cutouts)

Getting started

CAUTION: Handle your benchtops with care. Do not place metal tools on the benchtop.

Checking your cabinets

It is critical in any benchtop installation that the cabinets or structures you intend to fit the benchtops to provide a **level** sturdy foundation. Remove all drawers and doors from the base cabinets and protect the decorative panels etc.

Always work away from a corner and select the correct benchtop component, in conjunction with your kitchen plan.

Professional Tip - The operation of sanding and cutting will generate dust. It is recommended to use a face or dust mask and safety glasses when cutting or sanding. It is strongly recommended to use extraction on your power tools to remove the dust, i.e. vacuum cleaner. There will be airborne dust which can only be cleaned after cutting. Sealing doorways etc. to occupied areas is advisable or alternatively do these tasks externally.

Sink & cooktop cut-outs

Professional Tip – For best results, track saw blade needs to be suitable to cut aluminum.

Step 1 – Positioning of appliance template

The use of a sharp hole saw and track saw is one of the most essential elements to the successful completion of a sink or cooktop cutout in your Think Solid™ Custom benchtop.

- Apply masking or painters tape to benchtop where the appliance is to be positioned. (see Fig. 3)
- Measure and overlay appliance template onto the masking tape area.
- Tape the template to the area to secure in place while you carefully trace around the template with a marker. (see Fig. 4)
- Ensure the appliance manufacturers paper templates are used to trace around the template board material supplied with your order.
- Use a jig saw to make the cutout in the template board material.
- Sand the template board material smooth and perfectly shaped as possible.
- Gently position and clamp the template in the exact position of where you require the cut-out.

Step 2 – Drilling the radius corners for your cooktop or sink cut out

Ensure you use the appropriate diameter of hole saw to match the radius corner of your sink or cooktop appliance.

- **CAUTION:** Ensure you operate these power tools according to the manufacturer's instructions. Consult an expert if you have any doubt.
- Using the appropriate hole saw diameter bit, drill the four corners of the cooktop/sink cutout
- Ensure the benchtop is properly supported before you commence cutting the cut-out, making sure the waste part of the benchtop is supported at all times. (see Fig. 5)
- **CAUTION:** Failure to properly support the waste section of the cut-out will cause damage to your benchtop.
- **CAUTION:** A jig-saw should not be used to make the cut-out in the Think Solid™ Custom material.

Step 3 – Completing sink and cooktop cutout

- Using a track saw cut the two long sides. (see Fig. 6)
- Once completed, hot melt glue fix a piece of timber across the cutout.
- Using the track saw, complete the two short sides of the cut out.
- Remove the cutout piece.
- **CAUTION:** Failure to properly support the waste section of the cut-out will cause damage to your benchtop.
- **CAUTION:** A jig-saw should not be used to make the cut-out in the Think Solid™ Custom material.

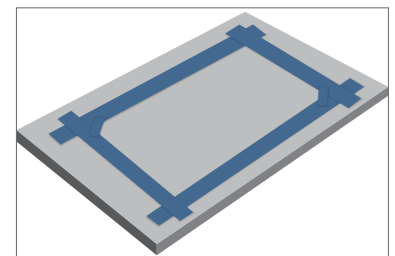


Fig. 3

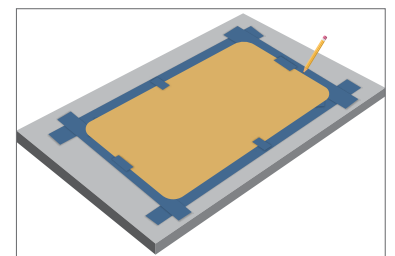


Fig. 4

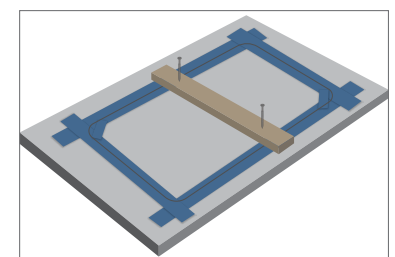


Fig.5

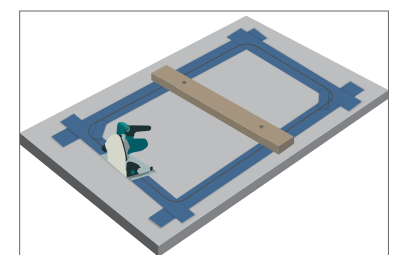


Fig.6

ThinkSolid™ DIY Installation Guide

- Using a 150 grit sandpaper, sand the inside edge of the cut-out to remove cutting marks. (see Fig.7)
- Remove sharp edges at the top and bottom of the cut-out by sanding the edges to an approx. 2mm radius. This can be done with 150 grit sand paper and block. If this is not done correctly, fine cracks may appear in your benchtop over a period of time.
- **For cooktop cut-outs only, apply the aluminium heat conductive tape around the cut-out in one continual piece. This is an important step to ensure the benchtop is protected from excessive heat**
- Ensure the aluminium heat tape extends up the cutout edge and over the surface of the benchtop enough to run past the outside edge of the cooktop flange. (see Fig. 8)

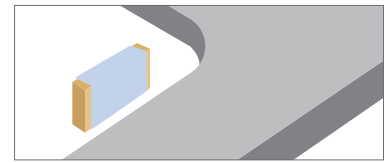


Fig.7

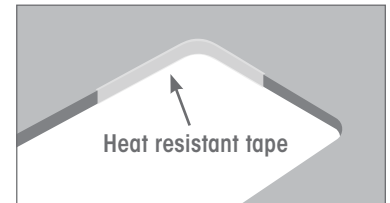


Fig.8

Professional Tip - Ensure all benchtop joins are a minimum of 150mm away from any appliance cut-out

Professional Tip - After properly finishing the edges of the off cut of your sink or cooktop cut out, apply four rubber feet under the surface and use this as a colour matched heat pad in your kitchen.

Step 4 - Sink & appliance fixing blocks

Important Note: All sink and appliance fixing blocks must be bonded in position before any benchtops are joined or fixed in place.

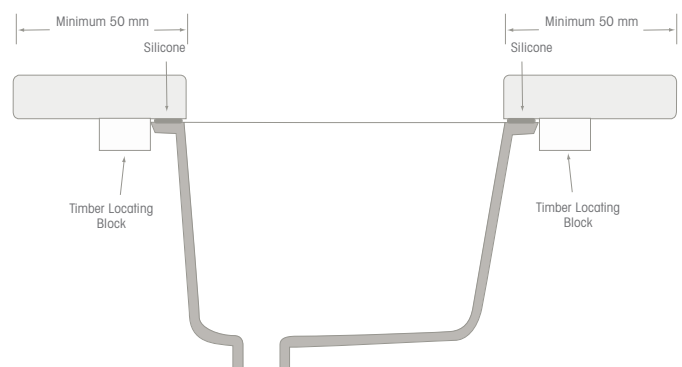
When installing a sink or appliance, ensure that no screws are used directly into the Think Solid™ Custom benchtops. All fixing should be into the timber subframe of the benchtop. In some installation scenarios it may be necessary to bond additional fixing blocks to the underside of the benchtops.

Undermounting your sink (if required)

Please note, if you intend to undermount your sink, you will need to position and fix the sink to the underside of the benchtop prior to the benchtop being installed on to the cabinets.

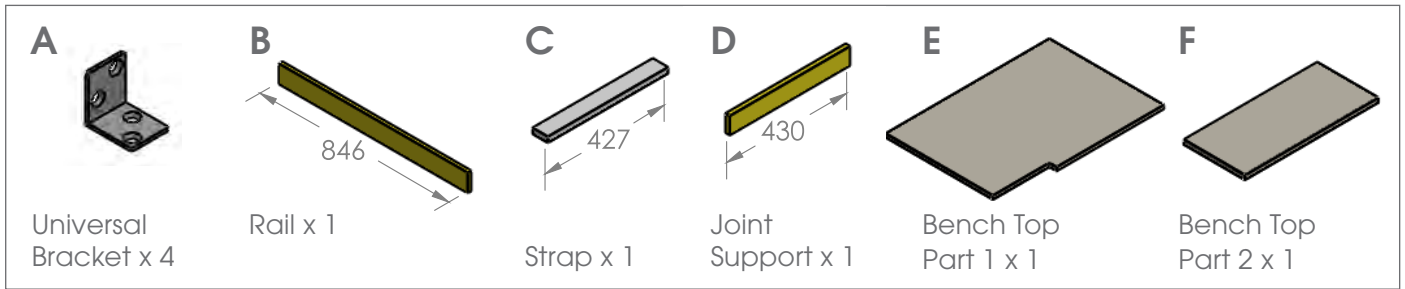
The following steps will prove helpful to achieve the best results when mounting your sink.

- Step 1** Ensure you use the installation instructions provided by your sink manufacturer to obtain the best results.
- Step 2** Ensure you locate the exact position of where you require your sink to be cut-out. Refer to the steps above in this installation guide for help.
- Step 3** Once the hole is cut, sand the inside edge of the cut-out smooth with a 150 grit sandpaper, making sure you remove all cutting marks.
- Step 4** Remove sharp edges at the top and bottom of the cut-out by sanding the edges to an approx. 2mm radius. If this is not done correctly, fine cracks may appear in your benchtop over a period of time.
- Step 5** Turn the benchtop over and locate where to position any additional fixing blocks. Refer to "Sink & Appliance fixing blocks" section in this installation guide.
- Step 6** Remove all dust or dirt around the underside of the cut-out. Apply a bead of silicone to the underside of the sink cut-out and position the sink under the benchtop.
- Step 7** Tighten the sink mounting screws to the timber subframe and any fixing blocks. Remove any excess silicone that oozes around the edge as per the manufacturer's instructions.
- Step 8** Once you have installed the sink, turn the benchtop over to complete the overall benchtop installation. Refer to the "Joining and Installation of Benchtops" section of this installation guide.



Cabinet joins for 20mm & 38mm benchtops

Hardware Required



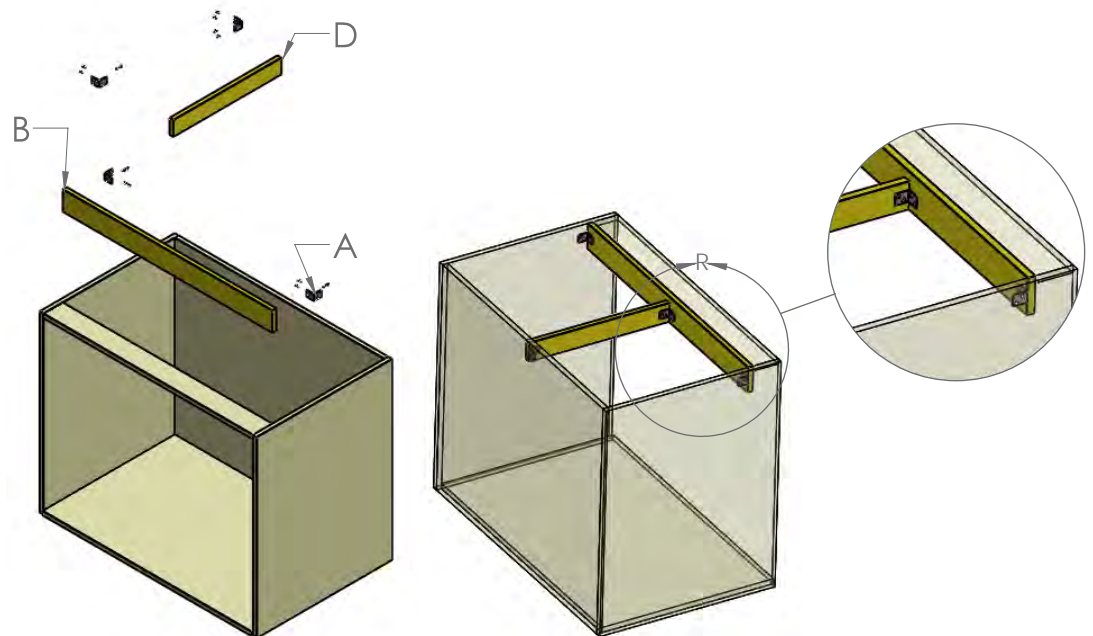
Linear Join

Step 1 Screw brackets (A) into rail (B) and joint support (D) at each end.

Step 2 Line rail (B) vertically beside existing support and screw into the ends of cabinet.

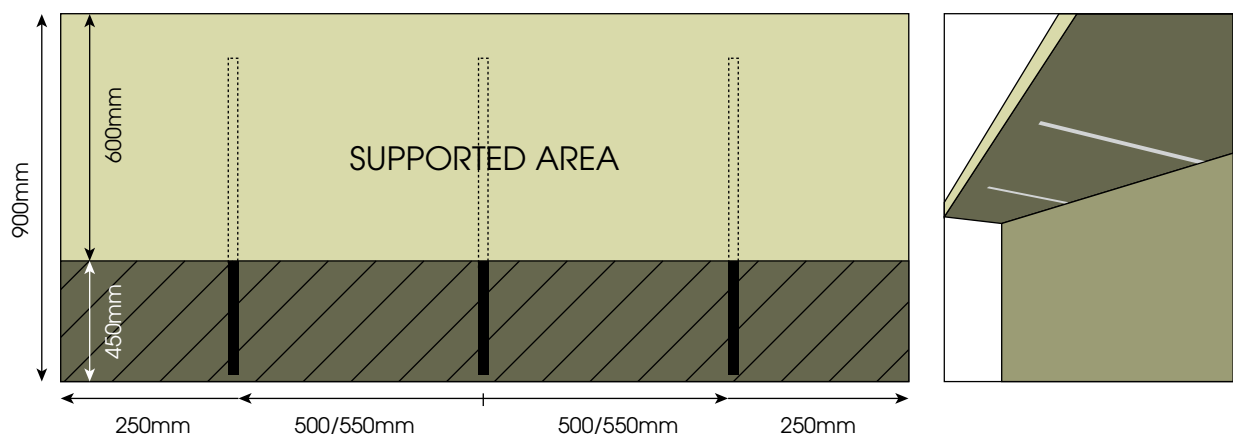
Step 3 Line joint support (D) up vertically with where the bench join will be and screw into rail (B) and back of cabinet.

Note: You may need to cut joint support to length.



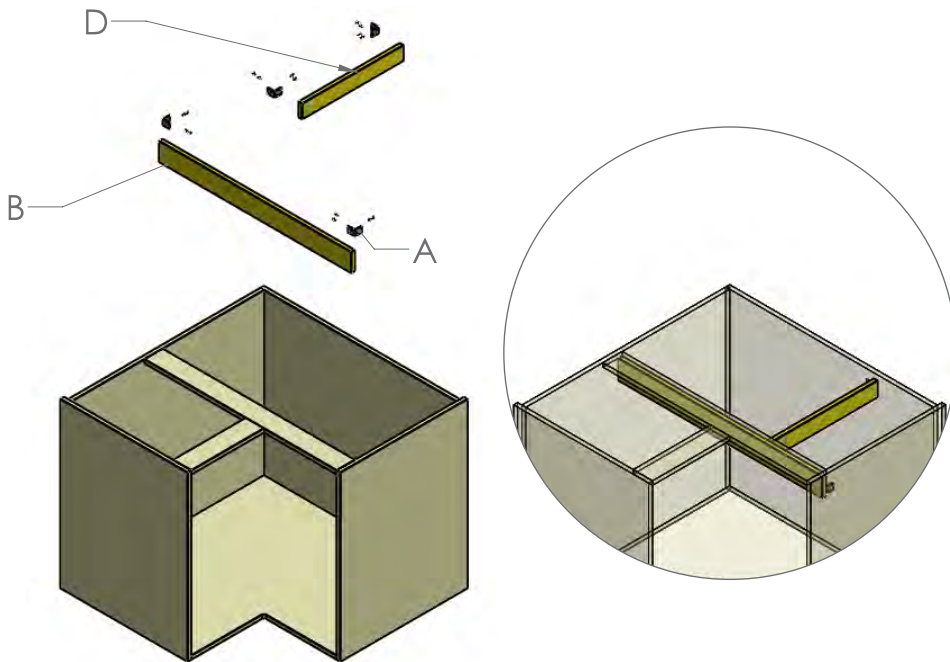
Overhang support

Your Benchtop may come with overhang support installed if the overhang was clearly noted and requested at time of order. If not, support for the benchtop can be achieved using "L shaped" brackets or metal support bars (25mm x 25mm x 2mm Square Hollow Section Steel). Support to be placed every 500/550mm along the length of the overhang and within 250mm at both exposed ends. SHS bar must extend into cabinet cavity as marked to provide load spread. Professional Tips: Cleats on wall can be used for overhang support where peninsular/island butts into wall.

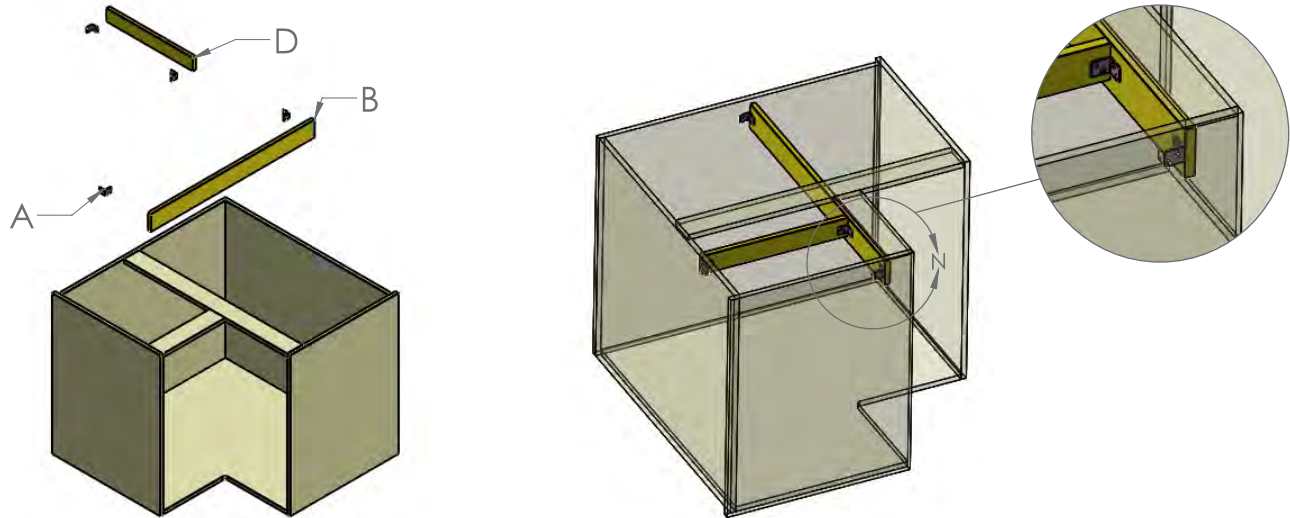


ThinkSolid™ DIY Installation Guide

Right-Hand



Left-Hand



Step 1 Screw brackets (A) into rail (B) and joint support (D) at each end.

Step 2 Line rail (B) vertically underneath existing support along edge closest to the back and screw into the ends of cabinet.

Step 3 Line joint support (D) up vertically with where the bench joint will be and screw into rail (B) and back of cabinet.

Joining & installation of benchtops

Step 1 - Join preparation

After all cut-outs have been made, dry fit the pieces together to double check the alignment and fit. Also make sure the tops are level.

Note: Ensure the edges which are joining meet along the full length (see Fig. 9). When factory levelling inserts are positioned and benchtops are butted together they can be shimmed underneath with thin packing pieces (not supplied) to ensure the top surfaces are level.

Note: Properly leveled joints allow a better quality finish.



Fig.9

Step 2 - Cleaning and preparing joins

Clean the pre-prepared edges with methylated spirits prior to applying the translucent silicone. Ensure your hands are clean to avoid contamination of the silicone in the joint.

Step 3 - Positioning the first top

Start in a corner and work outwards. Apply small amounts of the translucent silicone sealant on the cabinet front & back rails, as well as other points where they make contact with the benchtops. (see Fig. 10) Gently fit the first top in place and check that it is level. For the first top, ensure the tongue is properly located in the edge of the factory prepared joint. (see Fig. 11)

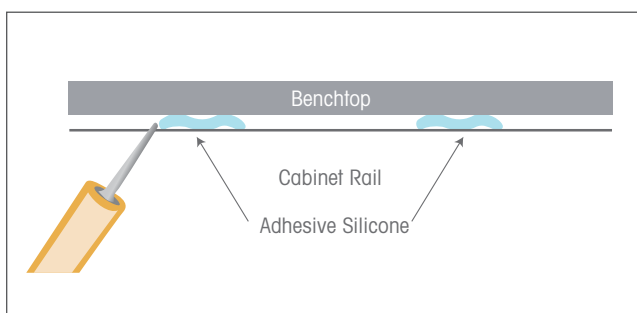


Fig.10

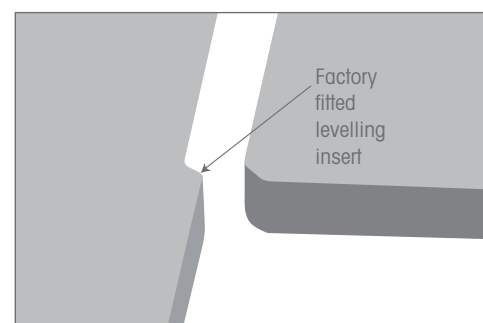


Fig.11

Professional Tip – To ensure that each toggle bolt can be accessed to be tightened, check the positioning of where these will be located prior to installing the benchtops.

ThinkSolid™ DIY Installation Guide

Step 4 - Installing the second/third tops

Apply translucent silicone sealant to the cabinets as before in Step 3.

Joining the benchtops together

CAUTION: When joining pieces together, ensure the factory-prepared edges of the join pieces are protected from damage when being positioned together.

CAUTION: Ensure hands are clean so as not to contaminate the silicone in the join.

Apply a bead of translucent silicone sealant along the adjoining edges (see Fig. 12). Bed the benchtop down onto the sealant and push the benchtops together ensuring they are aligned, and join firmly ensuring that a small amount of silicone sealant beads on the benchtop surface. (see Fig. 13).

Remove any excess translucent silicone sealant from the benchtop with a clean, moist cloth.

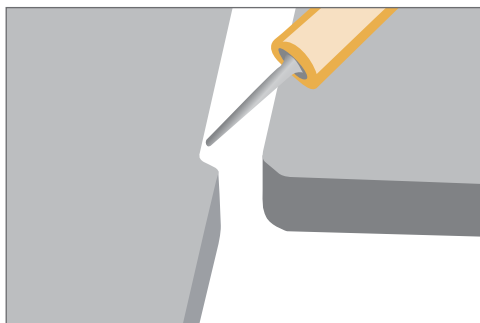


Fig.12

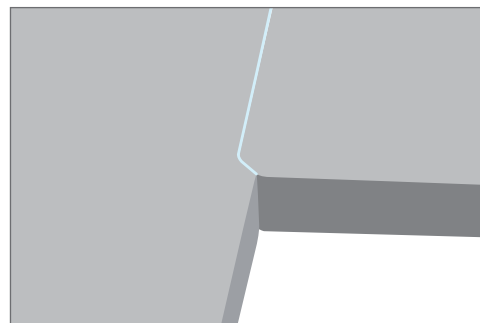
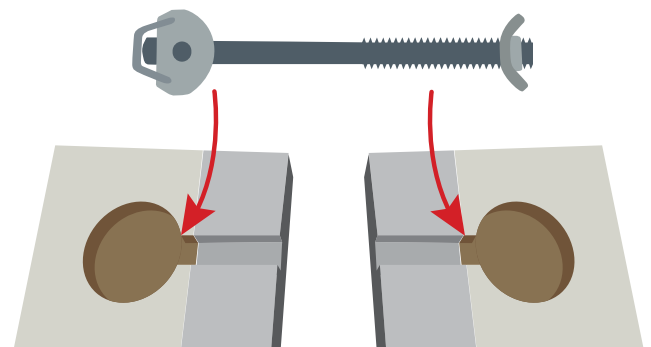


Fig.13

Insert the toggle bolts to the underside of the benchtop. Ensure the toggle key attachment is accessible once the benchtops have been positioned into place and tighten.

For additional benchtops, follow instructions shown in the second and third tops section.

Once you have completed the installation of all benchtops, you can have your appliances installed by a licenced plumber and/or electrician.



Allen Key and toggle for joining benchtops.

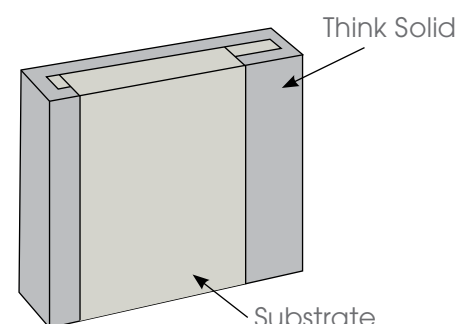


Professional Tip – Under no circumstances should screws be fixed directly into Think Solid™ Custom material.

Installing waterfall ends

Position the waterfall end, and dry fit. Pack up from the floor, make sure everything is square, dry fit benchtops to make sure everything is in the correct position.

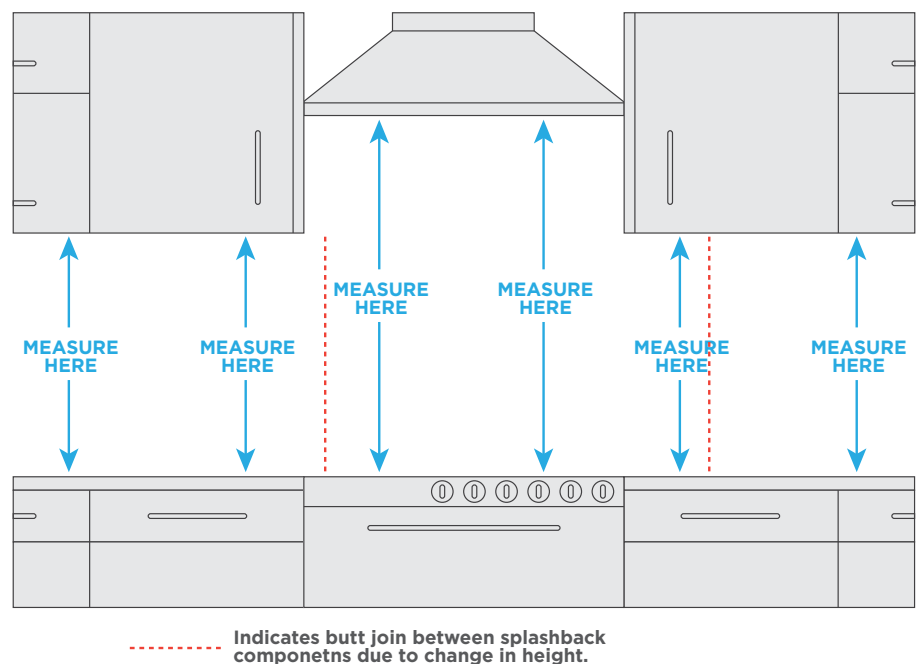
To install the waterfall end, dab silicone adhesive at 250-300mm intervals, and position a couple of mechanical screws through the cabinet panel and into substrate. Of the waterfall end.



Splashback Installation

Step 1 - Measurements

After the benchtop is installed, confirm that it is level. If splashback is to be installed full height to underside of overhead cabinets, ensure the benchtop and overhead cabinets are parallel to avoid irregular silicone seal appearance. If they are not level or parallel take more than one measurement as indicated and it is recommended to use the shortest measurement.



Step 2 - Fitting

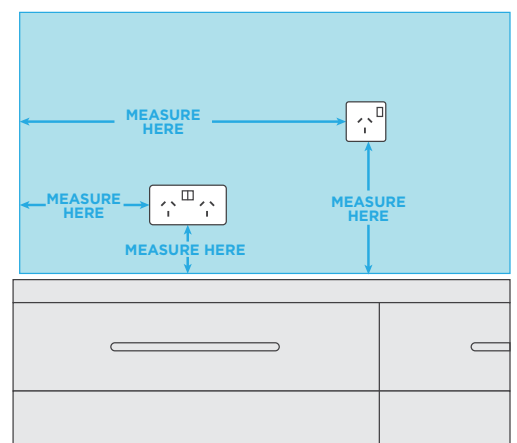
Please note your Think Solid Surface splashback should not be bonded to any non-permanent obstruction on the wall that will prevent a close fit. Wall surfaces must not be bare concrete and will need to be sealed and primed with fully cured paint before bonding so as not to cause an imbalance in the splashback material. Clean existing wall surfaces with a sugar soap solution to remove any grease or grime ensuring the surfaces are fully dried before installing so as to avoid trapping any moisture behind splashback.

Place small 1-2mm packers along bottom of splashback to provide a gap to allow for movement and subsequent effective sealing with silicone. Always use a flexible silicone adhesive to bond your splashback by applying a perimeter bead of silicone on the rear at least 50mm in from the edge along with some small circles of silicone. The circles can assist holding the splashback in place whilst the silicone cures.

Professional Tip – Apply 3 - 4 strips of padded double-sided mounting tape or small dabs of hot melt glue in between the silicone at top of splashback to hold the splash back in place while the silicone cures.

Step 2 - Socket Cut-Outs

Finally, when measuring position of socket cut-outs, you will need the height from the base and side as shown ensuring to allow for any gaps allowed for. Measure to the edge of the socket housing/brackets in wall and allow for screw clearances (approx. 10mm shorter than switch plate). Trial fit the switch plate over the proposed cut-out prior to cutting material to ensure the switch plate completely covers the proposed hole. Sand edges of Think Solid Surface to smooth finish using 240grit to remove machine marks and any square corners / edges. Important: do not fix switch plate screws into Think Solid Surface and follow all local authority guidelines in relation to removing and affixing of electrical switch plates.



**FOR MORE INFORMATION,
PLEASE CONTACT CASF
1300 366 113
think@casf.com.au
Mon-Fri 9:00am - 5:00pm EST**