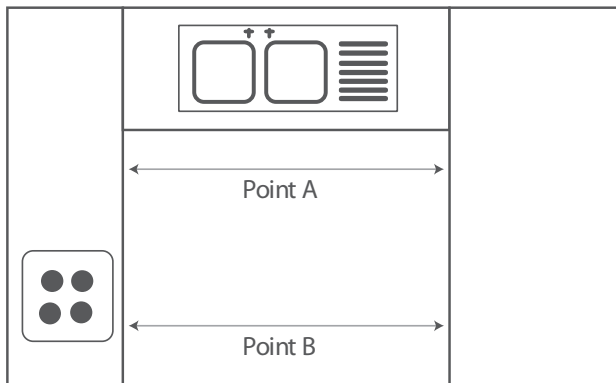


How to measure for your NEW Kitchen Benchtop

Measure the area of benchtop you require ensuring that each measurement is checked twice.

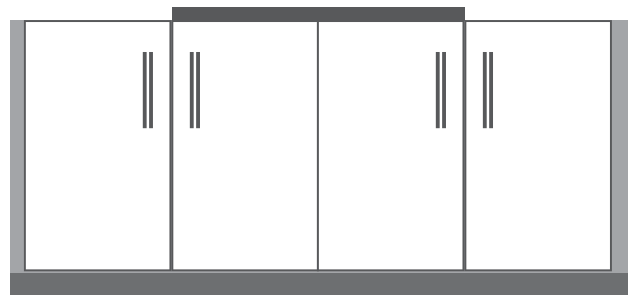
Below are some handy tips to remember when measuring for your new Think benchtop.

Check Cabinets are Square



Both Point A and Point B should be the same distance between the cabinets. If this distance is not the same, it is suggested that cabinets be adjusted to ensure that benchtops have a perfect join.

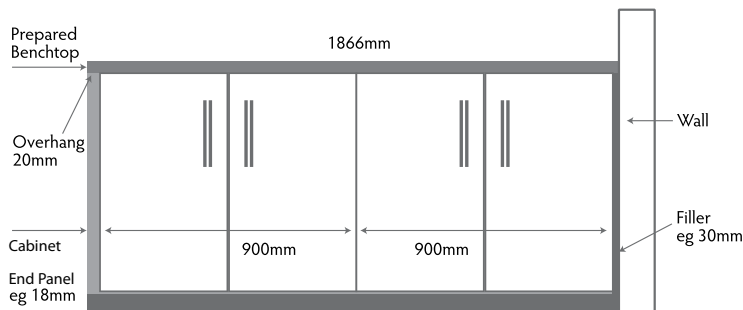
Check Cabinets are Level



Use a spirit level to check that all floor cabinets are level, to ensure your benchtop sits correctly when installed and joins are able to be perfectly aligned.

Double check cabinet modules and overall cabinet area to ensure you order your Think benchtops to the correct lengths.

When measuring depth (front edge to back edge), please allow for the required overhang.



To calculate the m² it is best to section your benchtop as shown below.

